

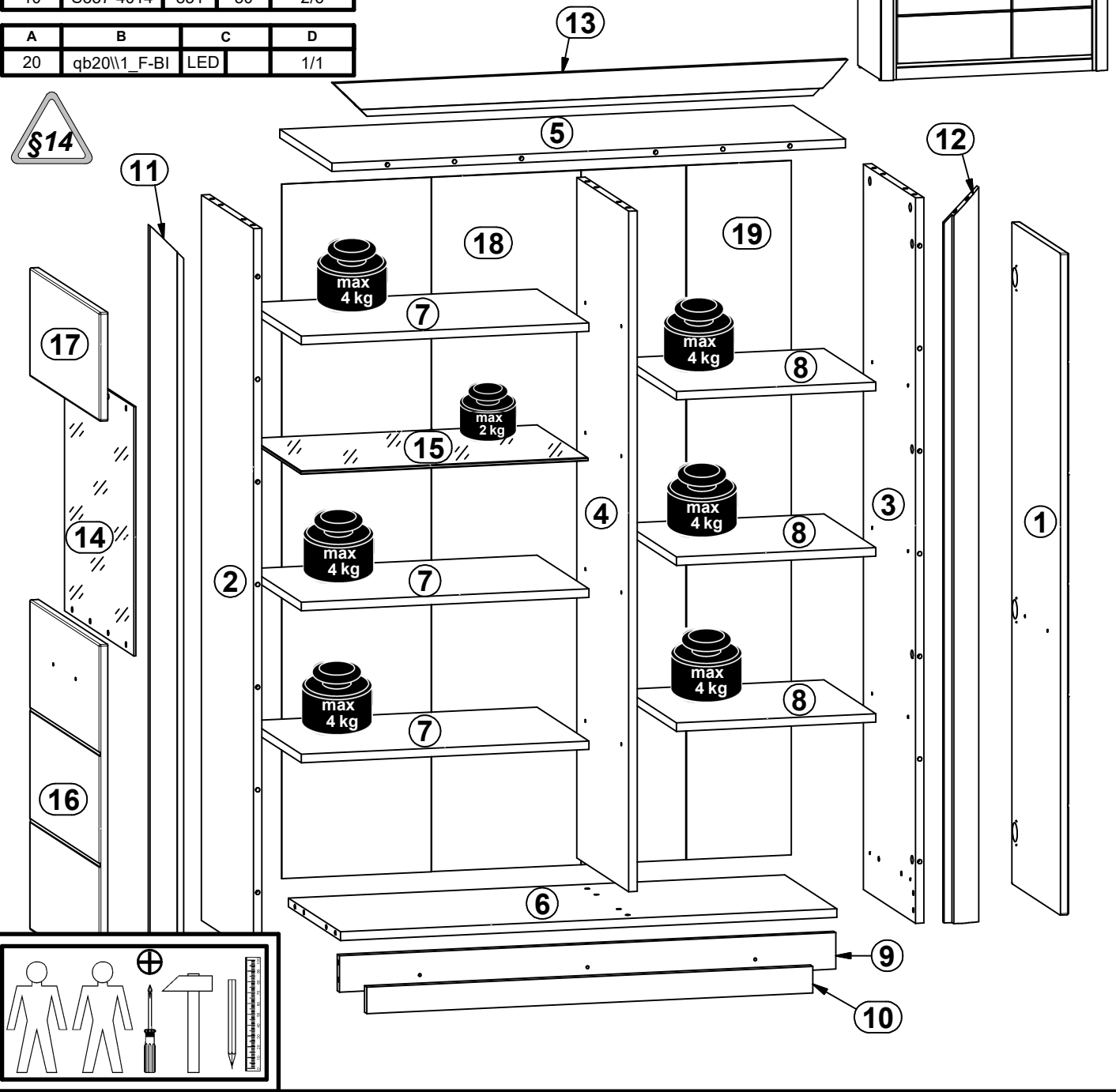
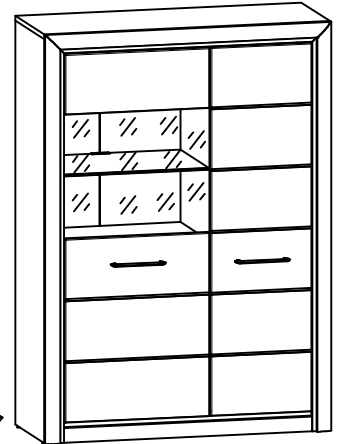
**A**

# KOEN 2

**S337-REG1D1W/143**

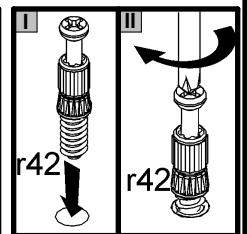
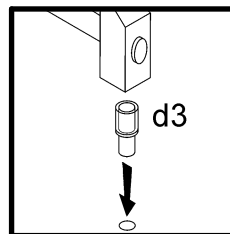
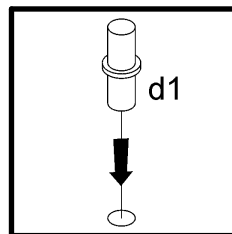
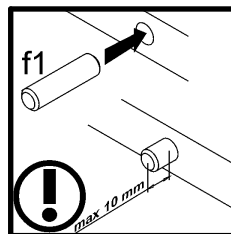
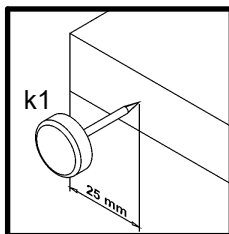
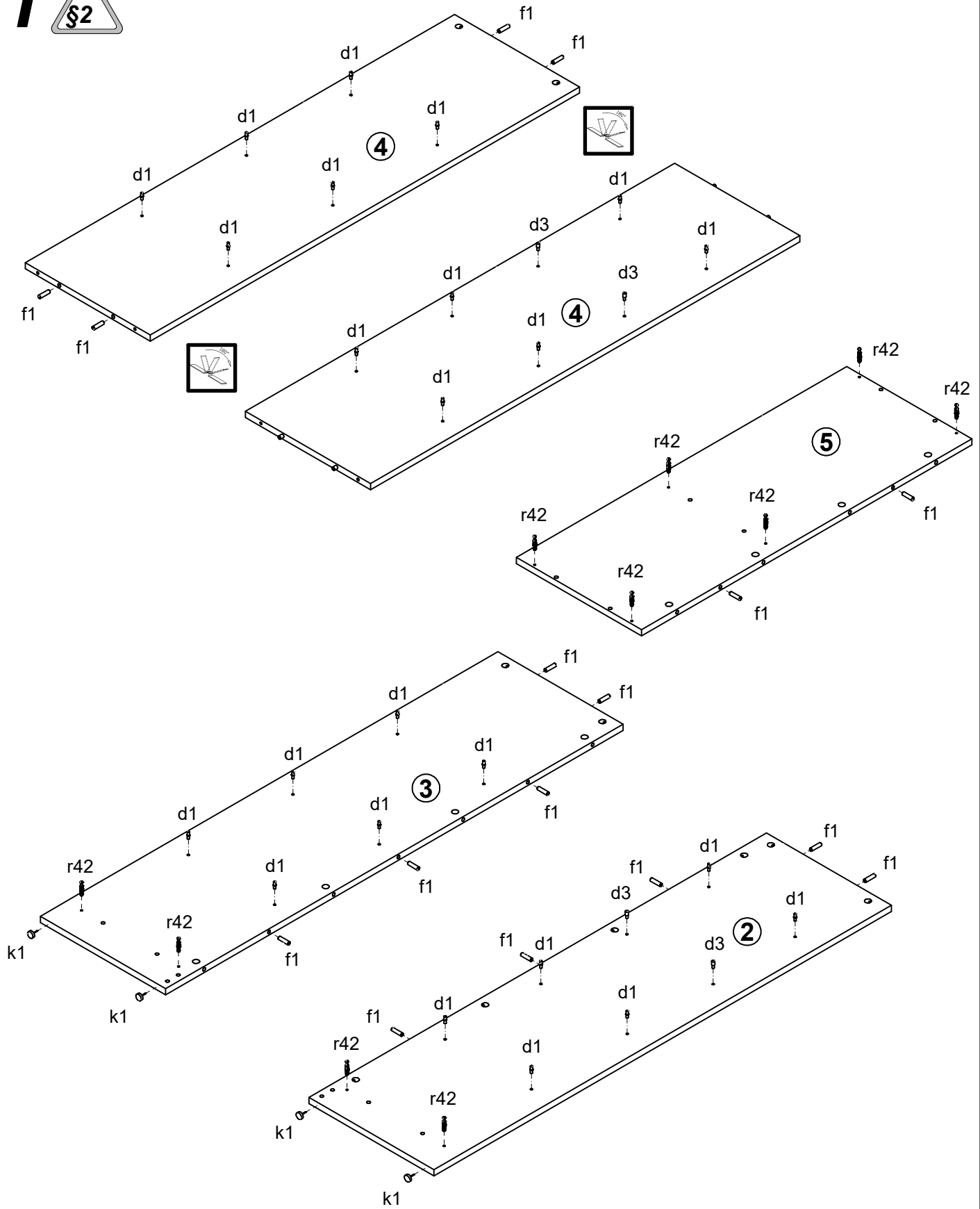
A	B	C	D	A	B	C	D		
1	S337-0010	346	1238	6/6	11	S337-5017	1374	65	3/6
2	S337-1016	1357	371	1/6	12	S337-5018	1374	65	3/6
3	S337-1017	1357	371	1/6	13	S337-5019	981	65	3/6
4	S337-1018	1273	371	1/6	14	S337-5020	466	494	4/6
5	S337-2006	980	371	2/6	15	S337-5021	548	360	4/6
6	S337-3009	947	371	2/6	16	S337-7017	496	617	5/6
7	S337-3010	549	370	2/6	17	S337-7018	496	203	5/6
8	S337-3011	380	370	2/6	18	S337-9306	1299	571	1/6
9	S337-4013	947	68	2/6	19	S337-9307	1299	401	1/6
10	S337-4014	851	50	2/6					

A	B	C	D
20	qb20\1_F-BI	LED	1/1

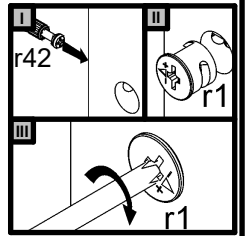
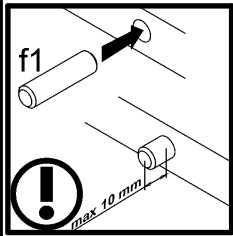
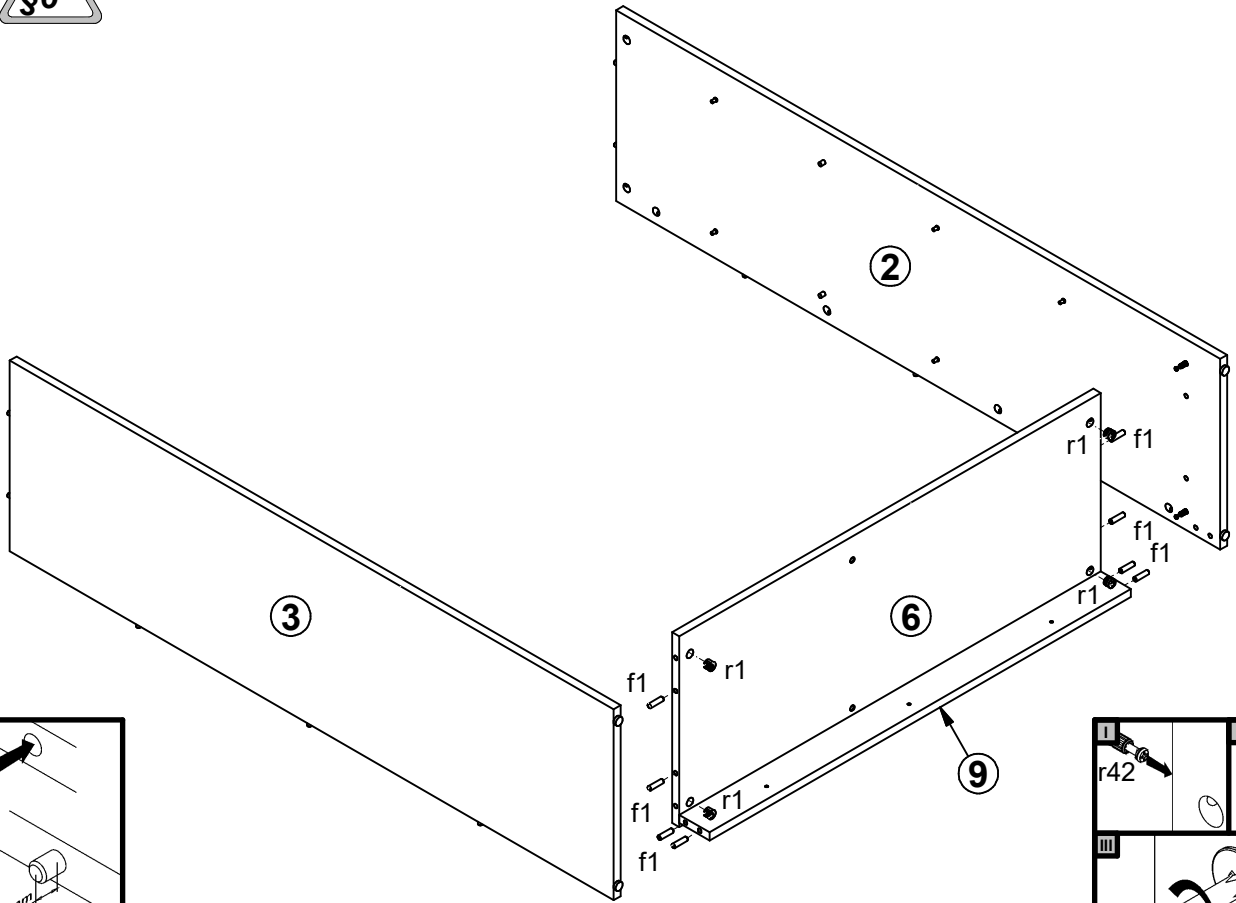


6x  a99	6x  b43	2x  c431 160 mm	24x  d1 Ø5x17 mm	4x  d3 Ø5x17 mm	2x  e1 Ø7x50 mm	12x  e2 Ø6.3x13 mm	8x  e47 Ø5x16 mm	26x  f1 Ø8x30 mm	
4x  j30 M4x22 mm	4x  k1	70x  l1	1x  n26	8x  o54 Ø5.3/Ø8.3x4.8 mm	1x  p38 Ø3.5x16 mm	12x  p51 Ø3.5x15 mm	3x  p94 Ø4x28 mm	26x  r1 Ø15x12 mm #16	
2x  r10	22x  r42 20/11	18x  s2 Ø16	1x  z1						

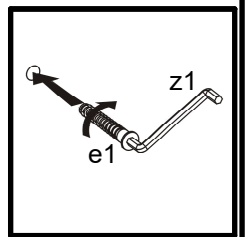
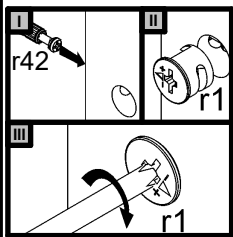
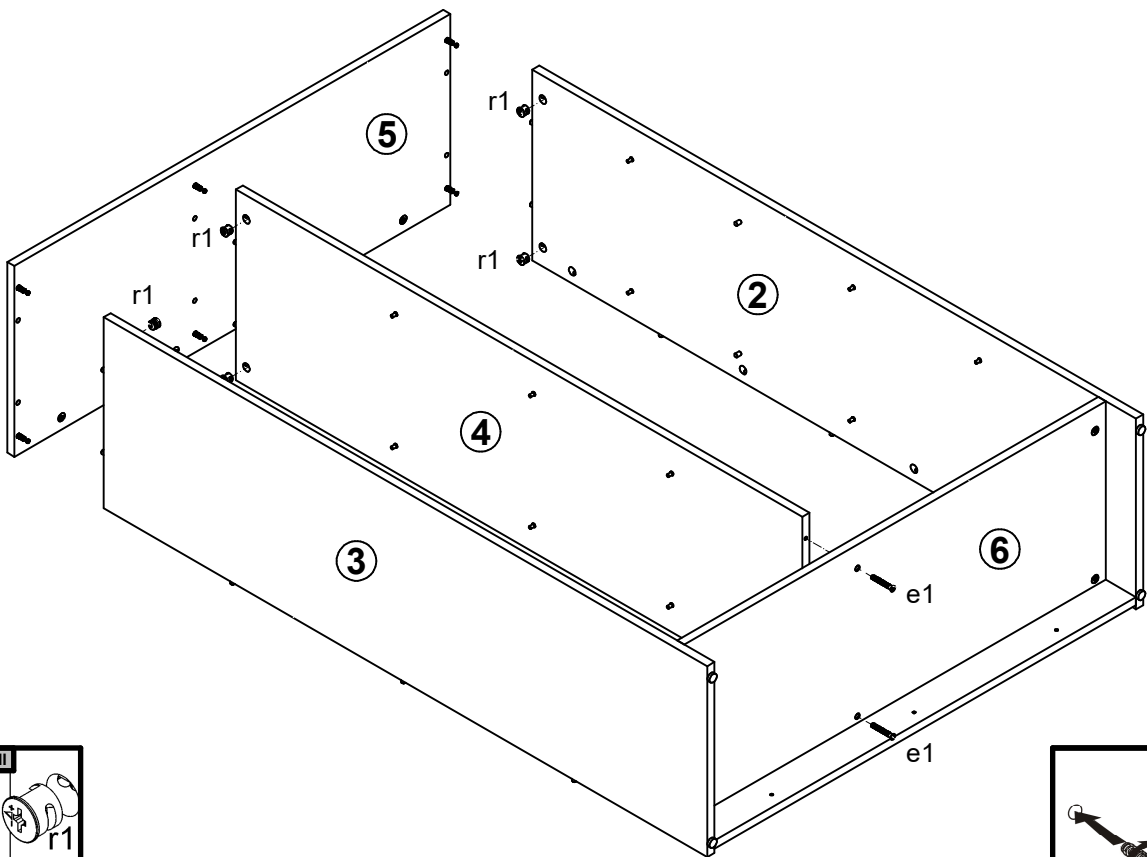
**1** 



# 2

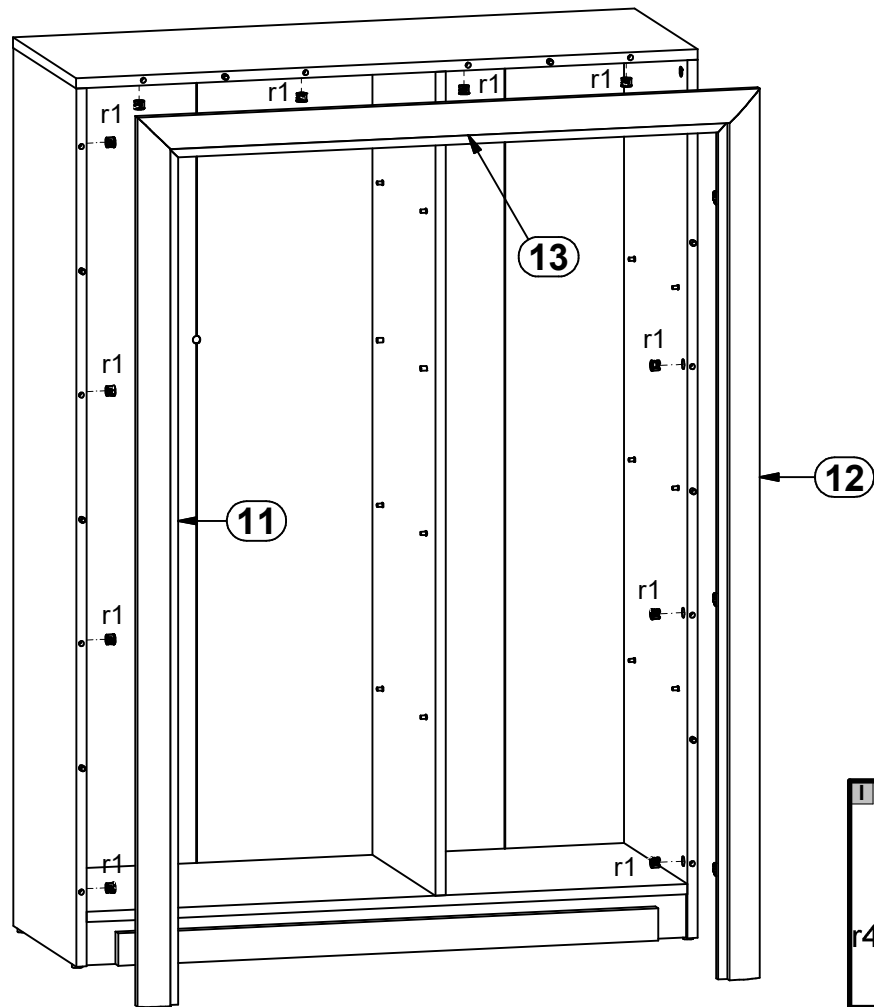


# 3

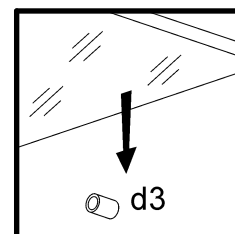
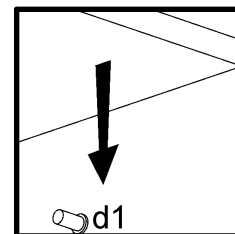
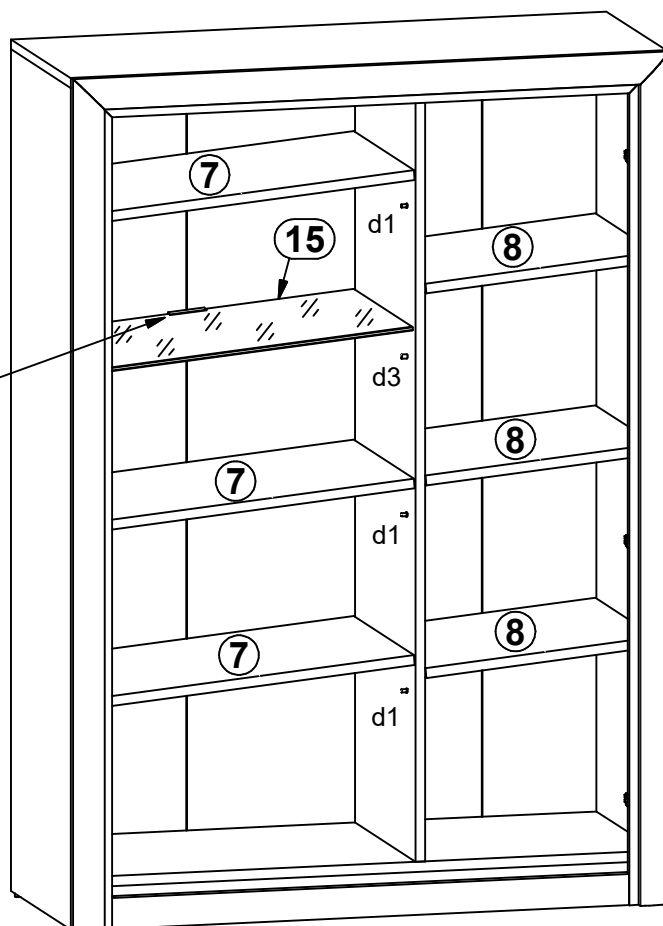
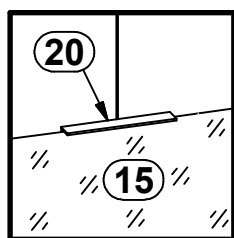




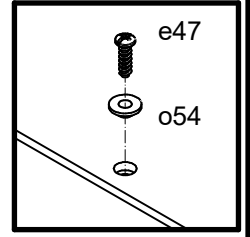
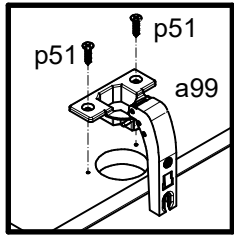
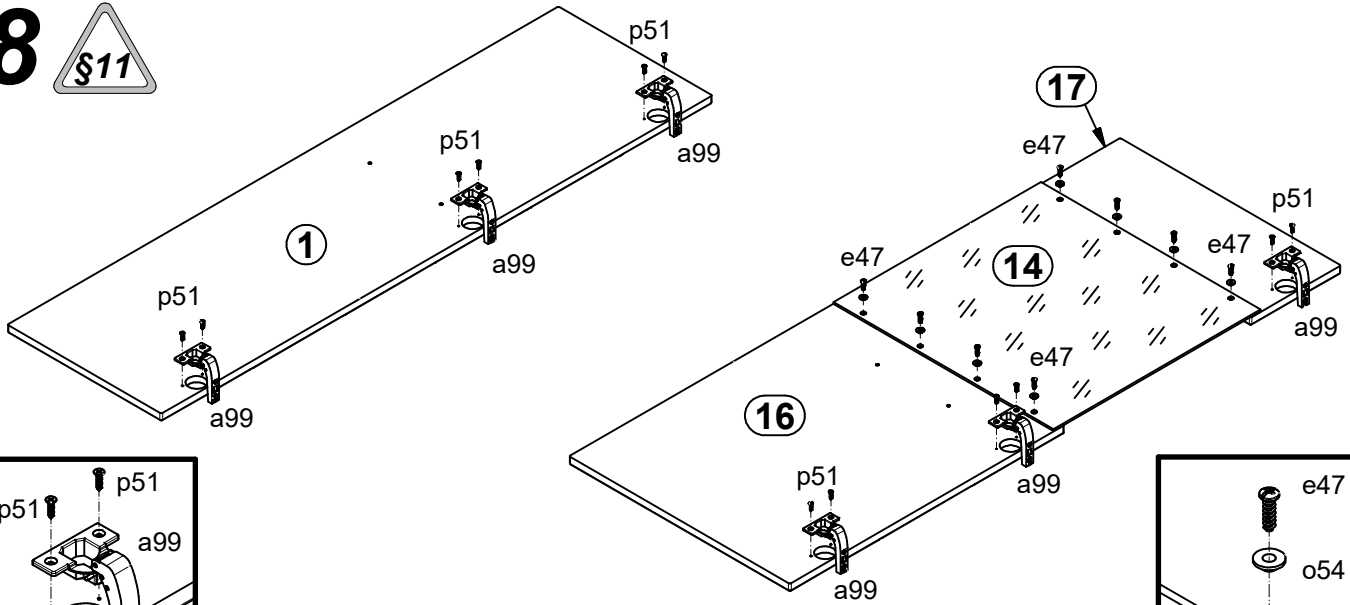
# 6



# 7



# 8



# 9

